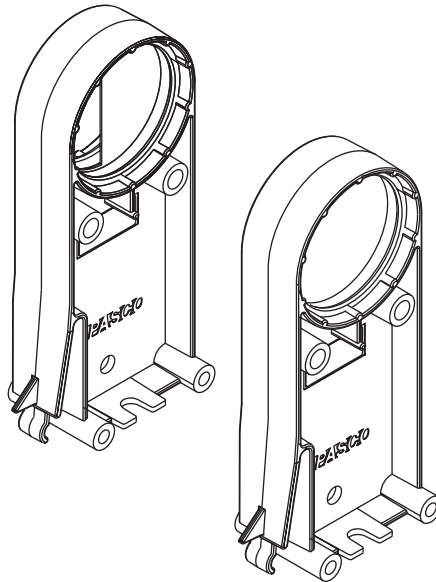


# Concave/convex Mirror Accessory

OS-8457



## Included Equipment

Concave/convex Mounted Mirror

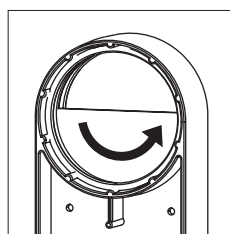
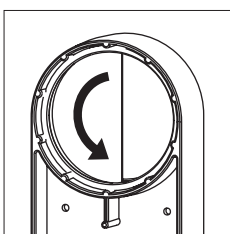
Half-screen

## Introduction

The Concave/convex Mirror Accessory is designed for use with a PASCO optics system such as OS-8515C, or an optics bench such as OS-8541 or OS-8508. It consists of a double-sided curved mirror and a semicircular half-screen.

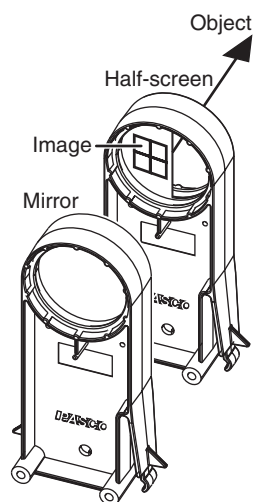
The mirror is concave on one side and convex on the other side. Both sides have the same radius of curvature.

The half-screen is designed for showing an image formed by the concave side of the mirror. The screen can be rotated in its mount so that its edge is vertical or horizontal.



## Demonstration

Position the mirror and half-screen as illustrated (right) with the concave side toward the screen. You can mount the components on an optics bench, place them on a tabletop, or simply hold them. Adjust the distance between the mirror and screen to form the image of a bright object such as a light source, lamp, or window.



## Specifications

Diameter	50 mm
Focal Lengths	+100 mm and -100 mm
Radius of Curvature	200 mm

## Technical Support

For assistance with any PASCO product, contact PASCO at:

Address: PASCO scientific  
10101 Foothills Blvd.  
Roseville, CA 95747-7100

Phone: 916-786-3800 (worldwide)  
800-772-8700 (U.S.)

Fax: (916) 786-7565

Web: [www.pasco.com](http://www.pasco.com)

Email: [support@pasco.com](mailto:support@pasco.com)

**Limited Warranty** For a description of the product warranty, see the PASCO catalog.

**Copyright** The PASCO scientific 012-09885A *Concave/convex Mirror Accessory Instruction Sheet* is copyrighted with all rights reserved. Permission is granted to non-profit educational institutions for reproduction of any part of this manual, providing the reproductions are used only in their laboratories and classrooms, and are not sold for profit. Reproduction under any other circumstances, without the written consent of PASCO scientific, is prohibited.

**Trademarks** PASCO and PASCO scientific are trademarks or registered trademarks of PASCO scientific, in the United States and/or in other countries. All other brands, products, or service names are or may be trademarks or service marks of, and are used to identify, products or services of, their respective owners. For more information visit [www.pasco.com/legal](http://www.pasco.com/legal).