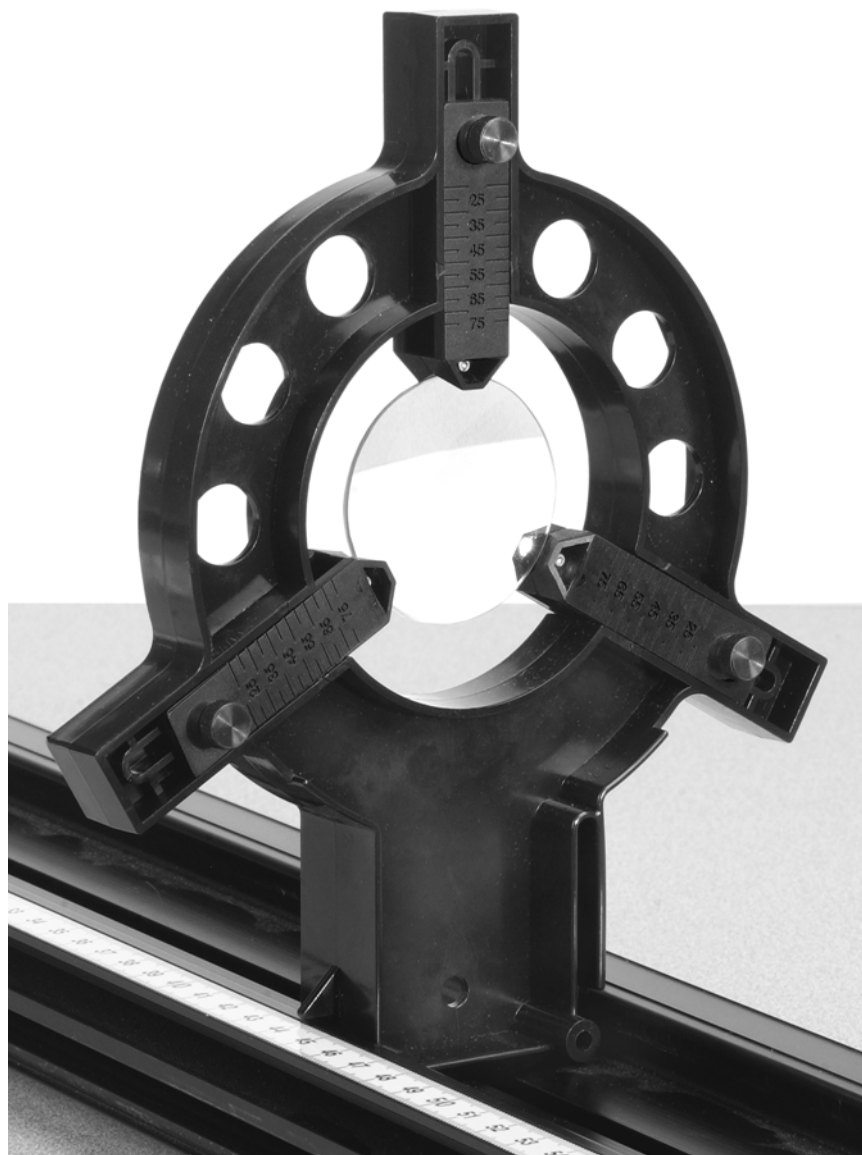


Adjustable Lens Holder

OS-8474



Introduction

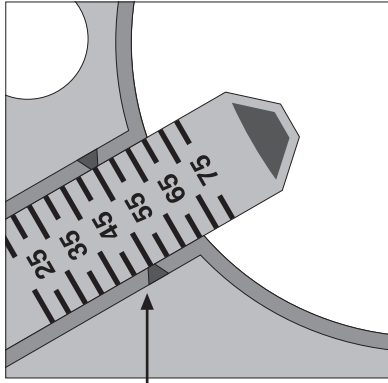
The PASCO Adjustable Lens Holder allows unmounted lenses and mirrors to be used with equipment such as the Basic Optics System (OS-8515C), Dynamics Track Optics Kit (OS-8471), or 60 cm Optics Bench (OS-8541). Three adjustable arms can be positioned and locked to securely hold circu-

lar optics components between 20 and 75 millimeters in diameter. The holder snaps into an optics bench or carriage, aligning the lens or mirror with other Basic Optics components.

Setup

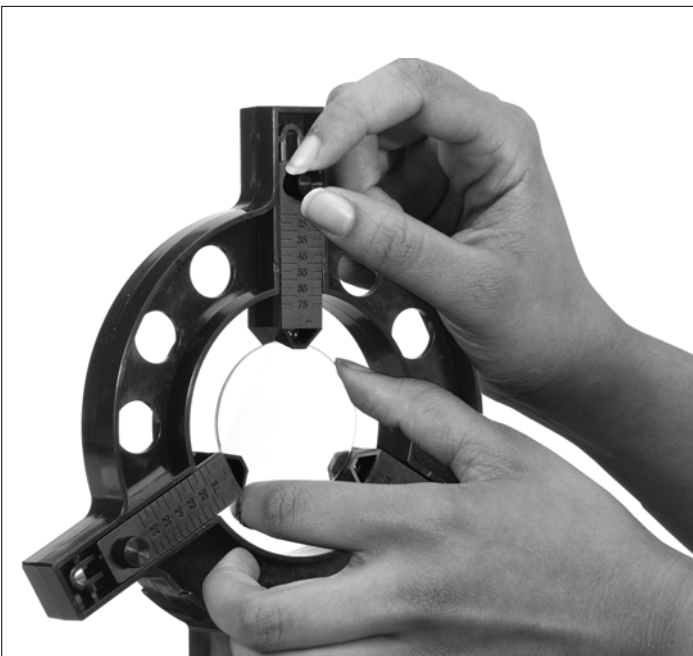
The holder has three sliding arms that can be adjusted for different-sized lenses. Each arm is marked with a range of diameters (in millimeters) corresponding to the diameter of the lens to be held.

1. Loosen the thumbscrews on the lower two arms. Line up the appropriate diameter marks on the arms with the triangular marks on the ring. Tighten the thumbscrews to lock the arms.



Align the marks corresponding to the diameter (in millimeters) of the lens

2. Loosen the thumbscrew on the top arm and slide it up.
3. Rest the edge of the lens on the lower two arms and slide the top arm down. Tighten the thumbscrew on the top arm to secure the lens.



After positioning the lower arms, place the lens in the ring and secure it with the top arm

Compatible PASCO Equipment

Optics Benches	OS-8515C	Basic Optics System
	OS-8541	60 cm Optics Bench
	OS-8508	120 cm Optics Bench
Dynamics Track Adapters	OS-8471	Dynamics Track Optics Kit
Lenses	SE-9013	Ground Glass Lenses (set of 6)

The Adjustable Lens Holder is also compatible with optics components made by other manufacturers.

Technical Support

For assistance with any PASCO product, contact PASCO at:

Address: PASCO scientific
10101 Foothills Blvd.
Roseville, CA 95747-7100

Phone: 916-786-3800 (worldwide)
800-772-8700 (U.S.)

Fax: (916) 786-7565

Web: www.pasco.com

Email: support@pasco.com

Limited Warranty

For a description of the product warranty, see the PASCO catalog.

Copyright

The PASCO scientific 012-09198B *Adjustable Lens Holder Instruction Sheet* is copyrighted with all rights reserved. Permission is granted to non-profit educational institutions for reproduction of any part of this manual, providing the reproductions are used only in their laboratories and classrooms, and are not sold for profit. Reproduction under any other circumstances, without the written consent of PASCO scientific, is prohibited.

Trademarks

PASCO is a registered trademark of PASCO scientific, in the United States and/or in other countries. All other brands, products, or service names are or may be trademarks or service marks of, and are used to identify, products or services of, their respective owners. For more information visit www.pasco.com/legal.