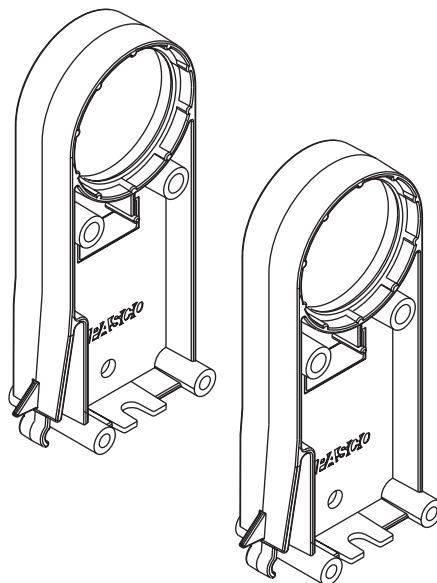


# Accessory Lens Set

OS-8519



## Included Equipment

+250 mm Mounted Lens

-150 mm Mounted Lens

## Introduction

The Accessory Lens Set is designed for use with a PASCO optics system such as OS-8515C, or an optics bench such as OS-8541 or OS-8508.

## Demonstration: Telescope

Position the lenses about 10 cm apart. You can mount the components on an optics bench, place them on a tabletop, or simply hold them. Place your eye close to the negative lens and look through both lenses at a distant object. Adjust the distance between the lenses to focus the telescope.

## Specifications

<b>Diameter</b>	50 mm
<b>Focal Lengths</b>	+250 mm and -150 mm

## Technical Support

For assistance with any PASCO product, contact PASCO at:

Address: PASCO scientific  
10101 Foothills Blvd.  
Roseville, CA 95747-7100

Phone: 916-786-3800 (worldwide)  
800-772-8700 (U.S.)

Fax: (916) 786-7565

Web: [www.pasco.com](http://www.pasco.com)

Email: [support@pasco.com](mailto:support@pasco.com)

**Limited Warranty** For a description of the product warranty, see the PASCO catalog.

**Copyright** The PASCO scientific 012-05630B *Accessory Lens Set Instruction Sheet* is copyrighted with all rights reserved. Permission is granted to non-profit educational institutions for reproduction of any part of this manual, providing the reproductions are used only in their laboratories and classrooms, and are not sold for profit. Reproduction under any other circumstances, without the written consent of PASCO scientific, is prohibited.

**Trademarks** PASCO and PASCO scientific are trademarks or registered trademarks of PASCO scientific, in the United States and/or in other countries. All other brands, products, or service names are or may be trademarks or service marks of, and are used to identify, products or services of, their respective owners. For more information visit [www.pasco.com/legal](http://www.pasco.com/legal).

