

## What's included

- Ray Table
- D-shaped Lens

## Required equipment

- Basic Optics Light Source (OS-8470)

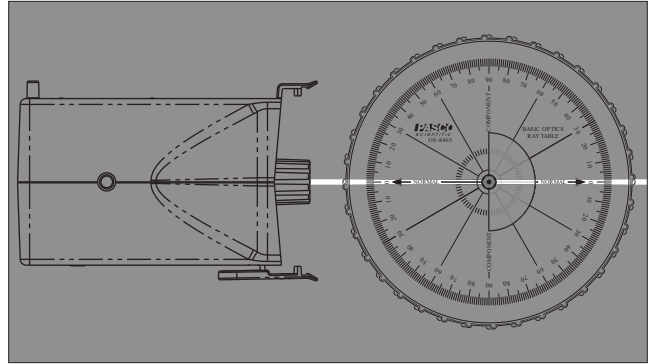
## Introduction

The Ray Table is designed for use with the D-shaped lens to measure angles of incidence, refraction, and reflection. You can also use other components with the Ray Table, such as a plane mirror. To change the angle of incidence, you can rotate the upper half of the ray table while the non-skid feet keep the base firmly in place. Pencil marks are easily erased from the table's white surface so that you can mark angles and trace rays directly on it.

## D-shaped lens setup

1. Set up the light source to project a single ray.
2. Place the light source and the ray table close together on a lab bench or other flat surface. Position the light source so that the ray crosses the center of the ray table.

3. Rotate the ray table to place one of the 0° marks on the incident ray.

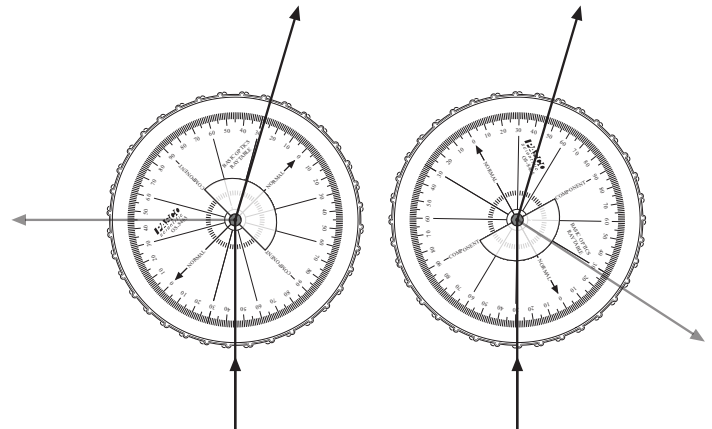


4. Place the D-shaped lens over the lens outline on the ray table.

### ✓ NOTE

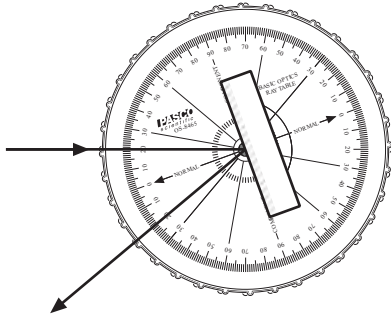
The flat surface of the lens is aligned with the **COMPONENT** line on the table. The lens's curved surface is concentric with the table.

5. Rotate the table to change the angle of incidence. Observe how the angles of the refracted and reflected rays change. If you look down through the lens, you can see that the rays are refracted only at the flat surface and not at the curved surface.



## Mirror setup

Use the same setup as described in the **D-shaped lens setup** section with a plane mirror. Position the mirror's reflective surface over table's **COMPONENT** line.



## Experiment files

Download one of several student-ready activities from the PASCO Experiment Library. Experiments include editable student handouts and teacher notes. Visit [pasco.com/freelabs/OS-8465](https://www.pasco.com/freelabs/OS-8465).


## Specifications and accessories

Visit the product page at [pasco.com/product/OS-8465](https://www.pasco.com/product/OS-8465) to view the specifications and explore accessories. You can also download experiment files and support documents from the product page.

## Technical Support

Need more help? Our knowledgeable and friendly Technical Support staff is ready to answer your questions or walk you through any issues.

 **Chat** [pasco.com](https://www.pasco.com)

 **Phone** 1-800-772-8700 x1004 (USA)  
+1 916 462 8384 (outside USA)

 **Email** [support@pasco.com](mailto:support@pasco.com)

## Warranty

For a description of the product warranty, see the Warranty and Returns page at [pasco.com/legal](https://www.pasco.com/legal).

## Trademarks

PASCO and PASCO scientific are trademarks or registered trademarks of PASCO scientific, in the United States and in other countries. All other brands, products, or service names are or may be trademarks or service marks of, and are used to identify, products or services of, their respective owners. For more information, visit [pasco.com/legal](https://www.pasco.com/legal).