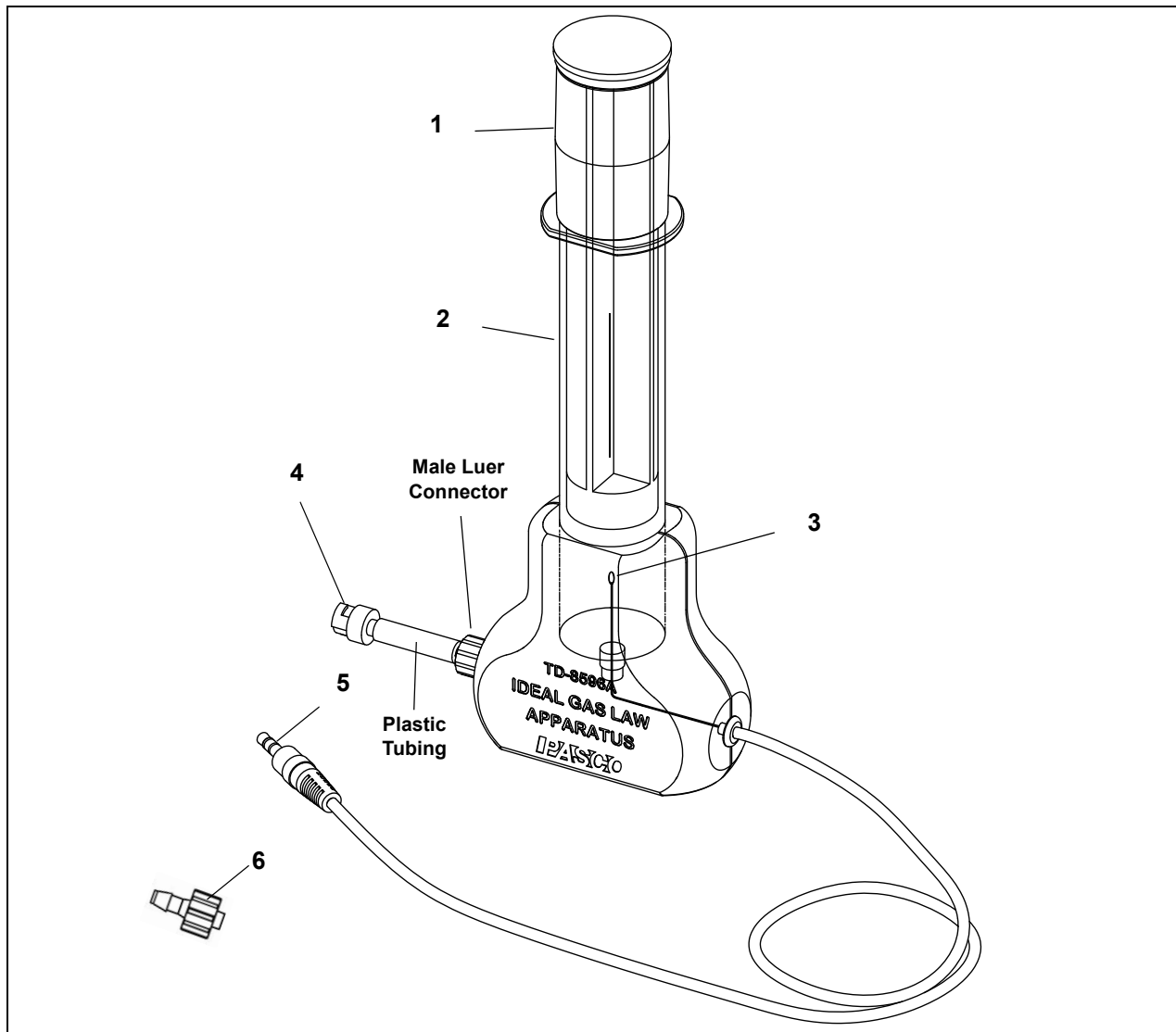


Ideal Gas Law Apparatus

TD-8596A



Included Equipment	Included Equipment
1. Mechanical stop	4. Pressure connector (quick-release connector)
2. Syringe and plunger	5. Temperature connector (mini stereo jack)
3. Thermistor	6. Spare Male Luer Connector

Additional Items Required or Recommended
PASCO Interface and Data Collection Software*
PASPORT Pressure/Temperature Sensor (PS-2146)
or
PASPORT Pressure Sensor (PS-2107) or Wireless Pressure Sensor (PS-3203)
and
PASPORT Temperature Sensor (PS-2125 or the equivalent)
OPTIONAL: PASPORT Sensor Extension Cable (PS-2500)

*see www.pasco.com

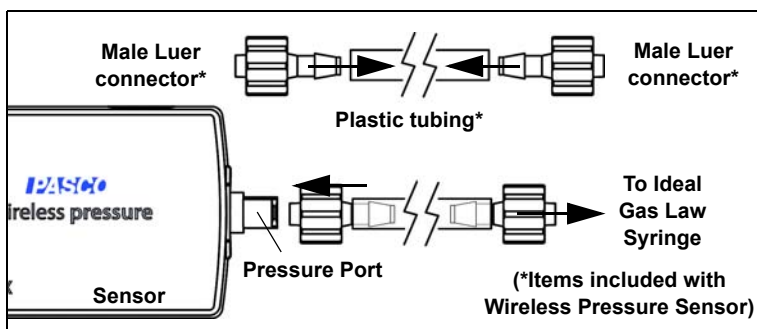
Introduction

The Ideal Gas Law Syringe allows simultaneous measurements of temperature and pressure of a gas as it is compressed. A low thermal mass thermistor is built into the end of the syringe to measure temperature changes inside the syringe. The response time is around a half of a second. The plunger is equipped with a mechanical stop that protects the thermistor, and also allows for a quick, predetermined change in volume. The temperature connector, a mini stereo jack, connects directly to a temperature sensor, and the pressure connector, a quick-release connector, attaches directly to a pressure sensor. As the plunger of the syringe is depressed, the volume decreases while pressure and temperature increase.

Equipment Setup

Plug the mini stereo jack into the temperature sensor. Connect the quick-release connector to the pressure port on a pressure sensor as shown. This white plastic connector can be disconnected and re-connected during the experiment to allow for different initial plunger positions.

NOTE: If you are using a PASCO Wireless Pressure Sensor (PS-3203), make a short adapter tube. The Wireless Pressure Sensor includes two male Luer connectors and a piece of plastic tubing. Cut a piece of tubing about 3 centimeters long. Lubricate the barb ends of both male Luer connectors with a very small amount of glycerin. Push the barb ends of both Luer connectors into opposite ends of the short piece of tubing.



On the Ideal Gas Law Apparatus, remove the short plastic tube by unscrewing the male Luer connector from the base of the syringe. Connect the new adapter between the female Luer connector on the syringe and the pressure port on the Wireless Pressure Sensor.

Procedure

Set the plunger for a volume of 40 cc.

Hold the base of the syringe firmly against a sturdy horizontal surface.

Slap down on the plunger with the palm of your hand to fully compress the gas inside the syringe. Hold this position until the temperature and pressure have equalized and are no longer changing (about 30 seconds).

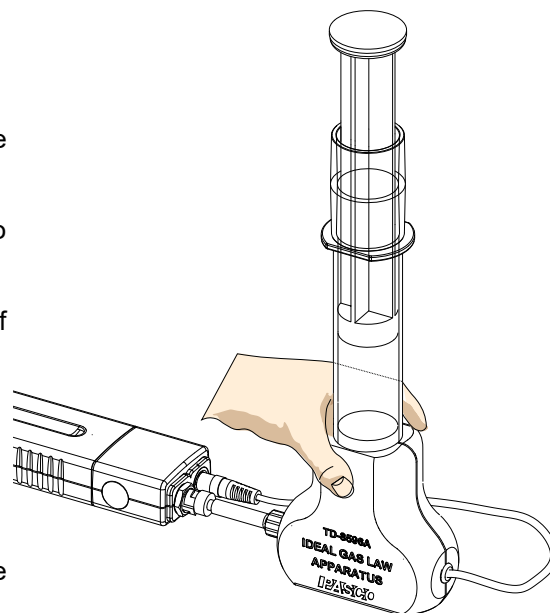
Release the plunger and allow it to return on its own. (It may not go back to 40 cc.)

NOTE: Do not use a hammer or mallet on the plunger! Only use the palm of your hand to push the plunger down.

Software Help

See the SPARKvue Help or PASCO Capstone Help for information about collecting, displaying, and analyzing data.

- In SPARKvue, select the HELP button () in any screen including the Home Screen.
- In PASCO Capstone, select **PASCO Capstone Help** from the **Help** menu, or press **F1**.



Capstone Experiment File

The included **CAPSTONE Experiments Download Reference Sheet** (012-15105) describes how to download pre-configured PASCO Capstone experiments from the PASCO Web site for use with the TD-8596A Ideal Gas Law Apparatus.

For TD-8596A Ideal Gas Law Apparatus:

To download the PASCO Capstone experiment, go to <https://www.pasco.com/capstoneexperiments/> and download the files for EX-5527.

Double-click the downloaded “.ZIP” file to open the “EX-5527 Ideal Gas Law” folder.

The folder contains Capstone Files, Images, and a Word File.

Use PASCO Capstone to open the pre-configured Capstone workbook file.

PASCO Search...

Subjects ▾ Products ▾ Support ▾ Training & Resources ▾ Downloads ▾

Thermodynamics

Specific Heat (EX-5524A) [Experiment Details](#) | [Download](#)

Electrical Equivalent of Heat (EX-5525) [Experiment Details](#) | [Download](#)

Ideal Gas Law (EX-5527) [Experiment Details](#) | [Download](#)

Blackbody Radiation (EX-5529A) [Experiment Details](#) | [Download](#)

Heat Engine Cycles (EX-5530A) [Experiment Details](#) | [Download](#)

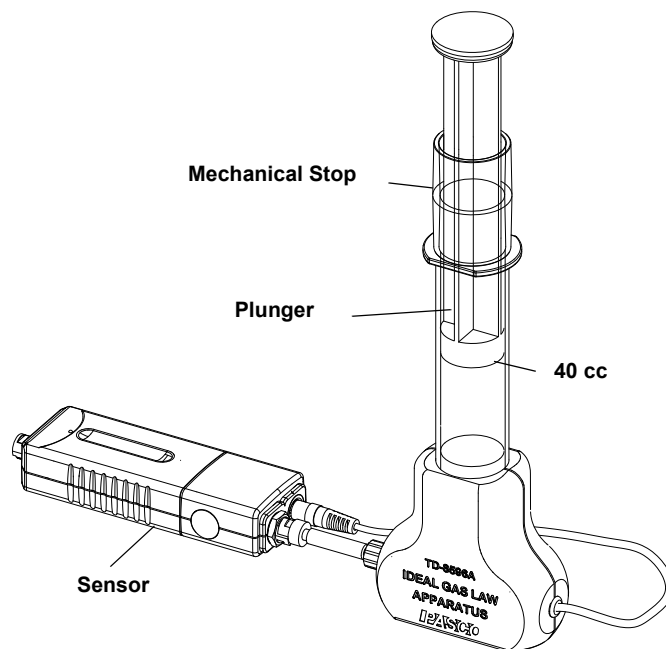
Ratio of Specific Heat (EX-5531) [Experiment Details](#) | [Download](#)

EX-5527-Ideal-Gas-Law.zip

Experiment 1: Ideal Gas Law

Procedure

1. With the pressure coupling disconnected, push the plunger all the way in so that the stop is bottomed out. Record the volume reading on the syringe. It should be around 20 cc.
2. Set the plunger for a volume of 40 cc. Connect the pressure coupling, and make sure the temperature jack is also plugged in. Hold the base of the apparatus firmly against a sturdy horizontal surface.
3. Open the Capstone file "EX-5527 Ideal Gas Law.cap"
4. Start recording data. Fully compress the plunger quickly so that the stop is bottomed out. Hold this position until the temperature and pressure have equalized and are no longer changing. It should take less than 30 seconds for the temperature to return to room temperature.
5. Release the plunger and allow it to expand back out on its own. (It may not go back to 40 cc.) Wait again until the temperature and pressure have equalized and are no longer changing. Record the final volume reading on the syringe.
6. Stop recording data.



Analysis

Constant Temperature

1. Highlight an area (click and drag) on the pressure graph at the beginning of the run before you compressed the air. You should see that data highlighted in the Data Table. Record the initial pressure (P_1) in Table 1.
2. Highlight an area on the pressure graph at the point just before you released the plunger. Note that the temperature should be back down to almost room temperature again. Record the final pressure (P_2) in Table 1. Record the volume (V_2) of the syringe when the plunger is fully compressed. It should be around 20 cc

Table 1: Constant Temperature

	Volume (cc)	Pressure (kPa)
1	40.0	
2		

3. For constant temperature, the Ideal Gas Law reduces to $P_1V_1 = P_2V_2$, or

$$\frac{V_1}{V_2} = \frac{P_2}{P_1} \quad (1)$$

4. Take the ratio of the final pressure over the initial pressure P_2 / P_1 . Take the ratio of the initial volume over the final volume V_1 / V_2 . Are they equal? Why not? There is actually a small consistent error in the volume that you can account

for. The calibration on the syringe does not include the volume of air in the tubing. If we call this unknown, additional volume V_0 , the equation (1) above can be more correctly written as

$$\frac{V_1 + V_0}{V_2 + V_0} = \frac{P_2}{P_1} \quad (2)$$

Using your measured values of V_1 , V_2 , P_1 and P_2 , algebraically solve for and calculate the volume V_0 .

Varying Temperature

1. Highlight an area on the temperature graph at the beginning of the run before you compressed the air, as you did before. It does not matter if it is the same pressure point or not. Record both the initial pressure (P_1) and initial temperature (T_1), in Table 2.
2. Record the initial volume (V_1), including your calculated value of V_0 . (V_1 is 40 cc)
3. Highlight the area on the temperature graph where it peaks. Pick the place where the temperature has peaked, not the pressure. It takes the temperature sensor about 1/2 second to respond. Record the peak temperature (T_2) and the corresponding pressure (P_2) for that time in Table 2. You want two values that occurred at the same time.

Table 2: Varying Temperature

	Volume (cc)	Pressure (kPa)	Temperature (K)
1			
2			

4. Record the volume (V_2), (including V_0) of the fully compressed plunger.
5. The Ideal Gas Law states that the quantity.

$$\frac{PV}{T} = \text{Constant.}$$

Use your values to calculate the ratio

$$\frac{P_1 V_1}{T_1}$$

Use your values to calculate the ratio

$$\frac{P_2 V_2}{T_2}$$

6. Compare these two ratios. Are they about the same? Calculate the percent difference between them.

$$\text{Percent Difference} = \frac{\text{Value \#2} - \text{Value \#1}}{\text{Value \#1}} \times 100 (\%)$$

Questions

1. When the syringe volume is suddenly cut in half, the pressure changes by more than a factor of 2. Why does it momentarily spike above 200 kPa?
2. When the syringe volume is suddenly cut in half, both the temperature and the pressure go up. After a short time, the temperature approaches room temperature, but the pressure approaches some new, higher value. Why doesn't the pressure decrease back to its original value like the temperature does?
3. When the plunger is released in the last part of the data run, what happens to the temperature? Why?

Safety

Read the instructions before using this product. Students should be supervised by their instructors. When using this product, follow the instructions in this manual and all local safety guidelines that apply to you.

Technical Support

For assistance with any PASCO product, contact PASCO at:

Address: PASCO scientific
10101 Foothills Blvd.
Roseville, CA 95747-7100

Web: www.pasco.com

Phone: (916) 786-3800
(800) 772-8700

Email: support@pasco.com

Limited Warranty

For a description of the product warranty, see the PASCO catalog. For more information visit www.pasco.com/legal.

Copyright

This PASCO scientific *Instruction Manual* is copyrighted with all rights reserved. Permission is granted to non-profit educational institutions for reproduction of any part of this manual, providing the reproductions are used only in their laboratories and classrooms, and are not sold for profit. Reproduction under any other circumstances, without the written consent of PASCO scientific, is prohibited. Revised 07-16-18.)

Trademarks

PASCO, PASCO scientific, PASCO Capstone, PASPORT, and SPARKvue are trademarks or registered trademarks of PASCO scientific, in the United States and/or in other countries. All other brands, products, or service names are or may be trademarks or service marks of, and are used to identify, products or services of their respective owners. For more information visit www.pasco.com/legal.

FCC Statement

This Class A digital device complies with part 15 of the FCC Rules. Operation is subject to the following two conditions: (1) This device may not cause harmful interference, and (2) this device must accept any interference received, including interference that may cause undesired operation.

CE Statement

This device has been tested and found to comply with the essential requirements and other relevant provisions of the applicable EU Directives.

Product End of Life Disposal Instructions:

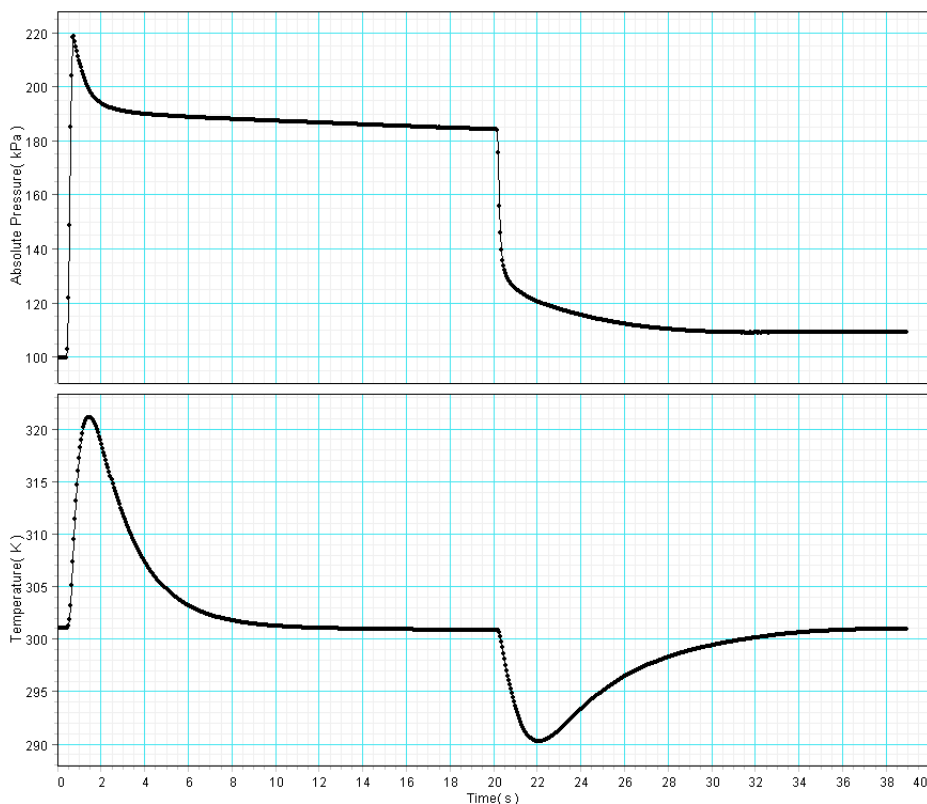
This electronic product is subject to disposal and recycling regulations that vary by country and region. It is your responsibility to recycle your electronic equipment per your local environmental laws and regulations to ensure that it will be recycled in a manner that protects human health and the environment. To find out where you can drop off your waste equipment for recycling, please contact your local waste recycle/disposal service, or the place where you purchased the product.

The European Union WEEE (Waste Electronic and Electrical Equipment) symbol (to the right) and on the product or its packaging indicates that this product **must not** be disposed of in a standard waste container.



Experiment 1:

Teacher's Notes—Ideal Gas Law



Constant Temperature, Sample Data and Analysis

	Volume (cc)	Pressure (kPa)
1	40.0	99.76
2	20.0	184.17

$$V_0 = \frac{P_2 V_2 - P_1 V_1}{P_1 - P_2}$$

$$V_0 = 3.6 \text{ cc}$$

Among different lab groups or over several trials you may find that calculated values of V_0 vary by 1 cc or more. This may look like a very large uncertainty, but, since it is *added* to the total volume of gas (40 to 60 cc) the absolute uncertainty, rather than the relative uncertainty, should be considered.

Varying Temperature, Sample Data and Analysis

	Volume (cc)	Pressure (kPa)	Temperature (K)
1	43.6	99.76	301.04
2	23.6	199.22	321.08

$$\frac{P_1 V_1}{T_1} = 14.4 \text{ kPa}\cdot\text{cc/K}$$

$$\frac{P_2 V_2}{T_2} = 14.6 \text{ kPa}\cdot\text{cc/K}$$

Percent Difference = 1%

Answers to Questions

- When the cylinder is compressed, the pressure momentarily spikes because the temperature of the gas increases. As the temperature drops back down, the pressure decreases.
- The pressure does not return to its original value because volume has decreased while the molar quantity of gas remains the same.
- When the pressure is released the temperature drops rapidly, then slowly returns to room temperature. The temperature drops due to sudden decompression (which is essentially adiabatic). It returns to room temperature due to heat flow from the environment into the syringe.

Experiment 1:

Teacher's Notes—Ideal Gas Law Electronic Workbook

With the Capstone electronic workbook, students will explore the relationship between the volume, pressure and temperature of a gas. They will compare graphs of V versus T/P for two different quantities of gas, and use these graphs to calculate the number of moles in both cases.

Have your students open the Capstone file "Ideal Gas Law.cap" and follow the on-screen instructions. They will collect, graph and analyze data within the electronic workbook.

To hand in their work, students can save a copy of the file or print the workbook after they have finished.

These sample data are from the file "EX-5527 Ideal Gas Law with data.cap".

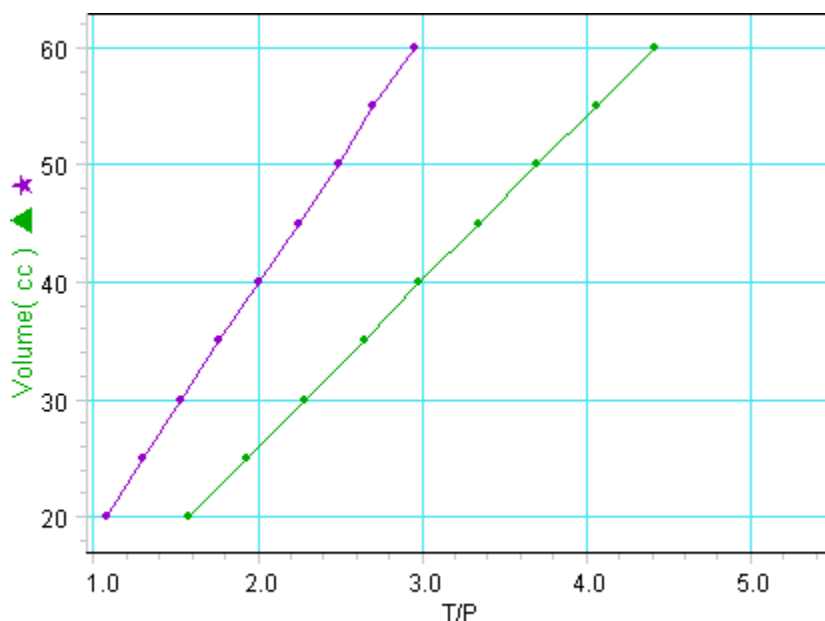


Fig. 4. Both Data Sets

Volume (cc)	Pressure (kPa)	Temperature (K)	T/P (K/kPa)
60	102	300	2.95
55	111	300	2.70
50	121	302	2.49
45	135	302	2.25
40	151	303	2.00
35	172	303	1.76

Table 1: Initial Volume 60 cc

Volume (cc)	Pressure (kPa)	Temperature (K)	T/P (K/kPa)
40	101	302	2.98
35	115	304	2.65
30	133	305	2.29
25	158	306	1.94
20	194	308	1.58

Table 2: Initial Volume 40 cc

Answers to Questions in the Electronic Workbook:

- The slope of each line is nR . From the slope and the initial pressure and temperature on Table 1, the initial volume of gas is:

$$\text{Initial Volume} = nRT/P = (21.3 \text{ cc} \cdot \text{kPa/K}) \times (300 \text{ K}) / (102 \text{ kPa}) = 62.8 \text{ cc}$$

- This figure is the volume of the syringe, plus the volume of the attached tubing:

$$\text{Volume of tubing} = 62.8 \text{ cc} - 60.0 \text{ cc} = 2.8 \text{ cc}$$

- The y-intercept of the best-fit line, 2.68 cc, is also the volume of gas in the tubing. In this case the two values deviate by about 0.1 cc.

- $n = \text{slope}/R$. Pay attention to units in this calculation.

$$n = \frac{21.3 \text{ cc} \cdot \text{kPa/K}}{8.31 \text{ J/K} \cdot \text{mol}} = \frac{0.0213 \text{ J/K}}{8.31 \text{ J/K} \cdot \text{mol}} = 2.56 \times 10^{-3} \text{ mol}$$

- The ratio of slopes is 1.51, close to the expected value of 1.5.

3. In theory the y-intercepts of both slopes are equal because they both represent the volume of the tubing. In this case they differ by 0.35 cc.

