

# E5CSL/E5CWL OMRON Temperature Controller

## EN Instruction Manual

Thank you for purchasing the OMRON E5CSL/E5CWL Temperature Controller. This manual describes the functions, performance, and application methods needed for optimum use of the product.

Please observe the following items when using the product.

- This product is designed for use by qualified personnel with a knowledge of electrical systems.
- Before using the product, thoroughly read and understand this manual to ensure correct use.
- Keep this manual in a safe location so that it is available for reference whenever required.

OMRON CORPORATION  
©All Rights Reserved

2113603-9A (CL1)

### Safety Precautions

**Key to Warning Symbols**

**CAUTION** Indicates a potentially hazardous situation which, if not avoided, is likely to result in minor or moderate injury or property damage. Read this manual carefully before using the product.

**Warning Symbols**

**CAUTION**

- Do not touch the terminals while power is being supplied. Doing so may occasionally result in minor injury due to electric shock.
- Do not allow pieces of metal, wire clippings, or fine metallic shavings or filings from installation to enter the product. Doing so may occasionally result in electric shock, fire, or malfunction.
- Do not use the product where subject to flammable or explosive gas. Otherwise, minor injury from explosion may occasionally occur.
- Never disassemble, modify, or repair the product or touch any of the internal parts. Minor electric shock, fire, or malfunction may occasionally occur.
- If the output relays are used past their life expectancy, contact fusing or burning may occasionally occur. Always consider the application conditions and use the output relays within their rated load and electrical life expectancy. The life expectancy of output relays varies considerably with the output load and switching conditions.
- Tighten the terminal screws to between 0.74 and 0.90 N·m. Loose screws may occasionally result in fire.
- Set the parameters of the product so that they are suitable for the system being controlled. If they are not suitable, unexpected operation may occasionally result in property damage or accidents.
- A malfunction in the Temperature Controller may occasionally make control operations impossible or prevent alarm outputs, resulting in property damage. To maintain safety in the event of malfunction of the Temperature Controller, take appropriate safety measures, such as installing a monitoring device on a separate line.

**Suitability for Use**

OMRON shall not be responsible for conformity with any standards, codes, or regulations that apply to the combination of the products in the customer's application or use of the product. Take all necessary steps to determine the suitability of the product for the systems, machines, and equipment with which it will be used.

Know and observe all prohibitions of use applicable to this product.

NEVER USE THE PRODUCTS FOR AN APPLICATION INVOLVING SERIOUS RISK TO LIFE OR PROPERTY WITHOUT ENSURING THAT THE SYSTEM AS A WHOLE HAS BEEN DESIGNED TO ADDRESS THE RISKS, AND THAT THE OMRON PRODUCT IS PROPERLY RATED AND INSTALLED FOR THE INTENDED USE WITHIN THE OVERALL EQUIPMENT OR SYSTEM.

See also product catalog for Warranty and Limitation of Liability.

### Precautions for Safe Use

Be sure to observe the following precautions to prevent operation failure, malfunction, or adverse effects on the performance and functions of the product. Not doing so may occasionally result in unexpected events.

- The product is designed for indoor use only. Do not use the product outdoors or in any of the following locations:
  - Places directly subject to heat radiated from heating equipment.
  - Places subject to splashing liquid or oil atmosphere.
  - Places subject to direct sunlight.
  - Places subject to dust or corrosive gas (in particular, sulfide gas and ammonia gas).
  - Places subject to intense temperature change.
  - Places subject to icing and condensation.
  - Places subject to vibration and large shocks.
- Use/store within the rated temperature and humidity ranges. Provide forced-cooling if required.
- To allow heat to escape, do not block the area around the product. Do not block the ventilation holes on the product.
- Be sure to wire properly with correct polarity of terminals.
- Use specified size (M3.5, width 7.2 mm or less) crimped terminals for wiring. To connect bare wires to the terminal block, use copper braided or solid wires with a rated temperature of over 70°C and a gauge of AWG24 to AWG14 (equal to a cross-sectional area of 0.205 to 2.081 mm<sup>2</sup>). (The stripping length is 5 to 6 mm.) Use two wires of same size and type, or two crimped terminals can be inserted into a single terminal.
- Do not wire the terminals which are not used.
- Allow as much space as possible between the controller and devices that generate a powerful high-frequency or surge. Separate the high-voltage or large-current power lines from other lines, and avoid parallel or common wiring with the power lines when you are wiring to the terminals.
- Use this product within the rated load and power supply.
- Make sure that the rated voltage is attained within two seconds of turning ON the power using a switch or relay contact. If the voltage is applied gradually, the power may not be reset or output malfunctions may occur.
- Make sure that the Controller has 30 minutes or more to warm up after turning ON the power before starting actual control operations to ensure the correct temperature display.
- Design system (control panel, etc.) considering the 2 second of delay that the controller's output to be after power ON.
- The output may turn OFF when shifting to certain levels. Take this into consideration when performing control.
- The number of non-volatile memory write operations is limited.

### Specifications

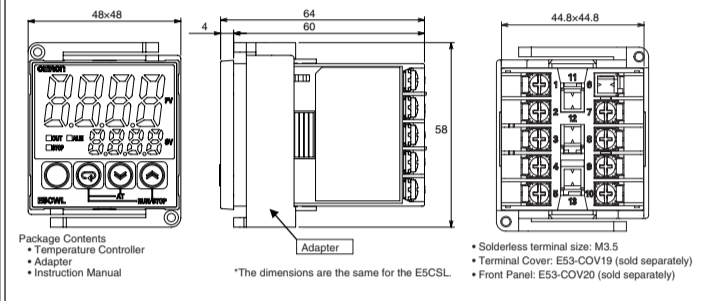
Power supply voltage	100 to 240 VAC, 50/60 Hz
Operating voltage range	85% to 110% of the rated voltage
Power consumption	Approx. 3.5 VA
Sensor type	Thermocouple: K, J, T, R, or S (JIS C 1602-1995 and IEC 60584-1) Platinum resistance thermometer: Pt100 (JIS C 1604-1997 and IEC 60751)
Indication accuracy (ambient temperature: 23°C)	(±0.5% of indication value or ±1°C, whichever is greater) ±1 digit max. R, S thermocouple at 200°C or less: ±3°C ±1 digit max. K, T thermocouple at -100°C or less: ±2°C ±1 digit max.
Control output	Relay output: 250 VAC, 3 A (resistive load) Voltage output (for driving SSR): 12 VDC +25%/-15%, 21 mA
Alarm output	Relay output: 250 VAC, 1 A (resistive load)
Control method	ON/OFF or 2-PID control
Electrical life of relay	100,000 operations
Sampling period	250 ms
Malfunction vibration	10 to 55 Hz, 20 ms <sup>2</sup> for 10 min each in X, Y and Z directions
Vibration resistance	10 to 55 Hz, 20 ms <sup>2</sup> for 2 h each in X, Y and Z directions
Malfunction shock	100 ms <sup>2</sup> , 3 times each in X, Y, and Z directions
Shock resistance	300 ms <sup>2</sup> , 3 times each in X, Y, and Z directions
Ambient temperature	-10 to 55°C (with no freezing or condensation)
Ambient humidity	25% to 85%
Storage temperature	-25 to 65°C (with no freezing or condensation)
Altitude	2,000 m max.
Recommended fuse	T2A, 250 VAC, time-lag, low-breaking capacity
Weight	Approx. 100 g (Controller only)
Degree of protection	Front panel: IP50, Rear case: IP20, Terminal section: IP00
Installation environment	Installation category II, pollution degree 2 (as per IEC 61010-1)
Memory protection	Non-volatile memory (number of write operations: 100,000)

## Wiring

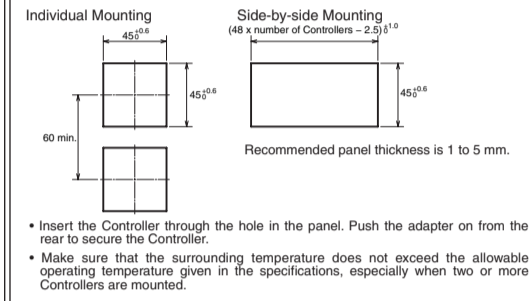
### Model Number Legends

Models with Single Display	Models with Dual Display
E5CSL-□□□□□□□□	E5CWL-□□□□□□□□
1 Control output	1 2 3
R Relay output: 250 VAC, 3 A	1 2 3
Q Voltage output (for driving SSR): 12 VDC, 21 mA	1 2 3
2 Alarm (E5CWL only)	
1 Relay output: 250 VAC, 1 A (resistive load)	
3 Sensor type	
TC Thermocouple (K, J, T, R, or S)	
P Platinum resistance thermometer (Pt100)	

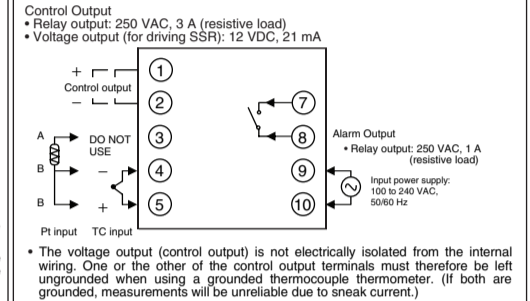
### Dimensions (mm)



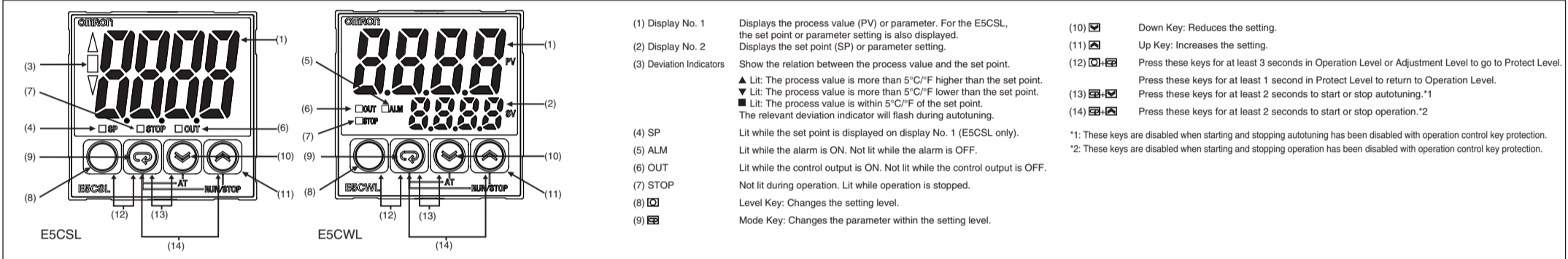
### Installation (mm)



### Connections

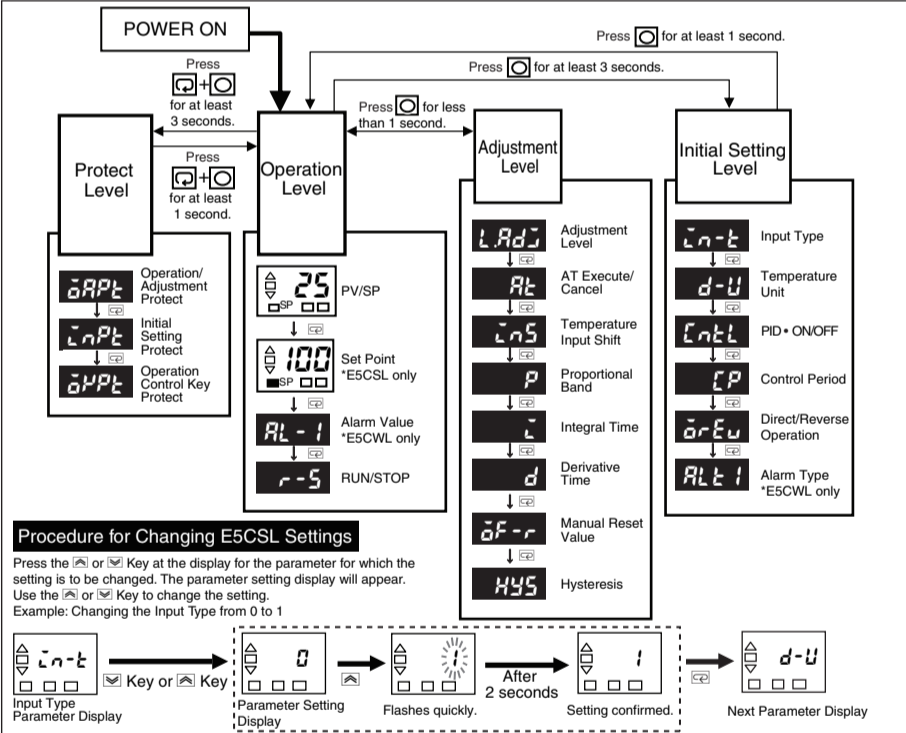


### Front Panel Part Names and Functions



## Operation Menu

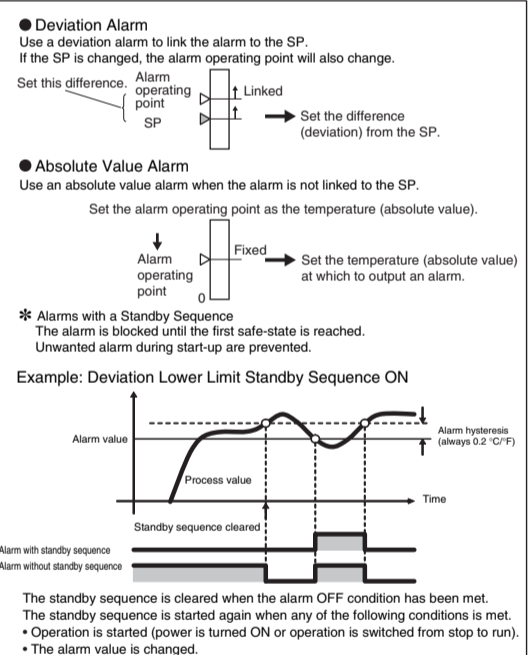
### Parameter Operations



### Alarms

Setting	Alarm type	Positive alarm value (X)	Negative alarm value (X)	Deviation/absolute value alarm
0	No alarm	ON	OFF	Output OFF
1	Deviation upper/lower limit	ON	OFF	Deviation alarm
2	Deviation upper limit	ON	OFF	Deviation alarm
3	Deviation lower limit	ON	OFF	Deviation alarm
4	Deviation upper/lower range	ON	OFF	Deviation alarm
5	Deviation upper/lower limit standby sequence ON	ON	OFF	Deviation alarm
6	Deviation upper limit standby sequence ON	ON	OFF	Deviation alarm
7	Deviation lower limit standby sequence ON	ON	OFF	Deviation alarm
8	Absolute value upper limit	ON	OFF	Absolute value alarm
9	Absolute value lower limit	ON	OFF	Absolute value alarm
10	Absolute value upper limit standby sequence ON	ON	OFF	Absolute value alarm
11	Absolute value lower limit standby sequence ON	ON	OFF	Absolute value alarm
12	Do not set.	ON	OFF	

The default alarm type is 2.



### Parameter Tables

**Step 1 Initial Setting Level:** Used to set basic specifications.

Display	Parameter name	Description	Setting/monitoring range	Default
L-n-t	Input Type	Set the input sensor type.	*Refer to table on the right.	0 or 8
d-u	Temperature Unit	Set the unit for temperature input to Celsius (°C) or Fahrenheit (°F).	[(°C)/°F]	°C
l-n-t	PID • ON/OFF	Set either 2-PID control or ON/OFF control.	0: ON/OFF	ON/OFF
l-p	Control Period	Set the time-proportional control period for the control output. (Displayed only when PID control is selected.)	0.5, 1 to 99	20 or 2 (s)
d-r-e-u	Direct/Reverse Operation	Set either reverse option (heating control) or direct operation (cooling control).	0: reverse control 1: direct control	Or-r (reverse control)
l-t	Alarm Type	Set the alarm type: *E5CWL only.	*Refer to table on the right. (2: Deviation upper limit)	

**Step 2 Operation Level:** Used to monitor the process value and to set the set point, alarm value, etc.

Display	Parameter name	Description	Setting/monitoring range	Default
-	PV/SP	Monitor the process value and set the set point.	-	SV: 0 (°C)
l-t	Alarm value	Set the alarm value. The location of the decimal point depends on the input type. *E5CWL only.	-1999 to 9999	0 (°C)
r-s	RUN/STOP	Start and stop control operation. *1	0: RUN	RUN

**Step 3 Adjustment Level:** Used to tune parameters and set control parameters.

Display	Parameter name	Description	Setting/monitoring range	Default
L-Ad	Adjustment Level	This display indicates that you have moved to Adjustment Level.	-	-
l-t	AT Execute/Cancel	Starts and stops autotuning. (Displayed only when PID control is selected.) *1, *2	0: OFF	OFF
l-n-s	Temperature Input Shift	Set a compensation value for the temperature input in increments of 0.1°C or 0.1°F.	-199.9 to 999.9	0.0 (°C)
l-p	Proportional Band	Set the proportional band in increments of 0.1°C or 0.1°F. (Displayed only when PID control is selected.)	0.1 to 999.9	8.0 (°C)
l-i	Integral Time	Set the integral time in increments of 1 s. (Displayed only when PID control is selected.)	0 to 3999	233 (s)
l-d	Derivative Time	Set the derivative time in increments of 1 s. (Displayed only when PID control is selected.)	0 to 3999	40 (s)
d-f-r	Manual Reset Value	Set the manipulated value to use for P or PD control (I = 0). The offset will be canceled.	0.0 to 100.0	50.0 (%)
l-h-s	Hysteresis	Set the hysteresis to use to achieve stable operation when switching the control output ON/OFF during ON/OFF control. (Displayed only when ON/OFF control is selected.)	0.1 to 999.9	1.0 (°C)

**Step 4 Protect Level:** Used to set parameters to restrict key operations.

Display	Parameter name	Description	Setting/monitoring range	Default
l-APt	Operation/Adjustment Protect	Set protection for Operation Level and Adjustment Level.	*Refer to table on the right.	0
l-nPt	Initial Setting Protect	Set protection for Initial Setting Level.	*Refer to table on the right.	1
l-APt	Operation Control Key Protect	Set protection for the AT Key and RUN/STOP Key (operation control keys).	*Refer to table on the right.	0

\*1: Displayed only when Operation Control Key Protection is set to 4.  
\*2: The setting cannot be changed during autotuning. Autotuning will be stopped if you move to Initial Setting Level or stop control operation.  
\*3: Displays during Autotuning.  
E5CSL: The current deviation indicator will flash.  
E5CWL: The AT Execute/Cancel characters on display No. 1 and the PV/SP characters on display No. 2 will flash.

### Input type: Thermocouple

Input	Setting	Setting range (°C)	Setting range (°F)
K	0	-200 to 1300	-300 to 2300
	1	-20.0 to 500.0	0.0 to 900.0
J	2	-100 to 850	-100 to 1500
	3	-20.0 to 400.0	0.0 to 750.0
T	4	-200 to 400	-300 to 700
	5	-199.9 to 400.0	-199.9 to 700.0
R	6	0 to 1700	0 to 3000
S	7	0 to 1700	0 to 3000

The default input type is 0.

### Input type: Platinum Resistance Thermometer

Input	Setting	Setting range (°C)	Setting range (°F)
Pt100	8	-200 to 850	-300 to 1500
	9	-199.9 to 500.0	-199.9 to 900.0

The default input type is 8.

### Troubleshooting

Display	Meaning	Action
S-E-R-R (SERR)	Input error *1	Check the wiring of inputs, disconnections, short circuits and input type.
E 111 (E111)	RAM memory error	Turn the power OFF then back ON again. *2
E 111 / S-U-M (E111) (SUM)	Non-volatile memory error	Press the [Mode] and [Level] Keys for at least 3 seconds to initialize the settings and clear the non-volatile memory error. *2

\*1: The control output and the alarm output will turn OFF when an error occurs. (For SERR, the alarm output will be processed for a high temperature error.)  
\*2: If the display does not change, the Controller needs to be repaired. If operation returns to normal, then noise may have caused the problem. Check for noise.  
\*3: On the E5CSL, E 111 and S-U-M will alternate on the display at 1-second intervals. On the E5CWL, E 111 will be displayed on display No. 1 and S-U-M will be displayed on display No. 2.

OMRON EUROPE B.V.  
Wegalaan 67-69, NL-2132 JD Hoofddorp The Netherlands  
Phone 31-2356-81-300  
FAX 31-2356-81-388  
OMRON ELECTRONICS LLC  
One Commerce Drive Schaumburg, IL 60173-5302 U.S.A  
Phone 1-847-843-7900  
FAX 1-847-843-7787  
OMRON ASIA PACIFIC PTE. LTD.  
No. 438A Alexandra Road # 05-05/08 (Lobby 2),  
Alexandra Technopark, Singapore 119967  
Phone 65-6835-3011  
FAX 65-6835-2711  
OMRON Corporation  
Shiohji Horikawa, Shimogyo-ku, Kyoto 600-8530 JAPAN